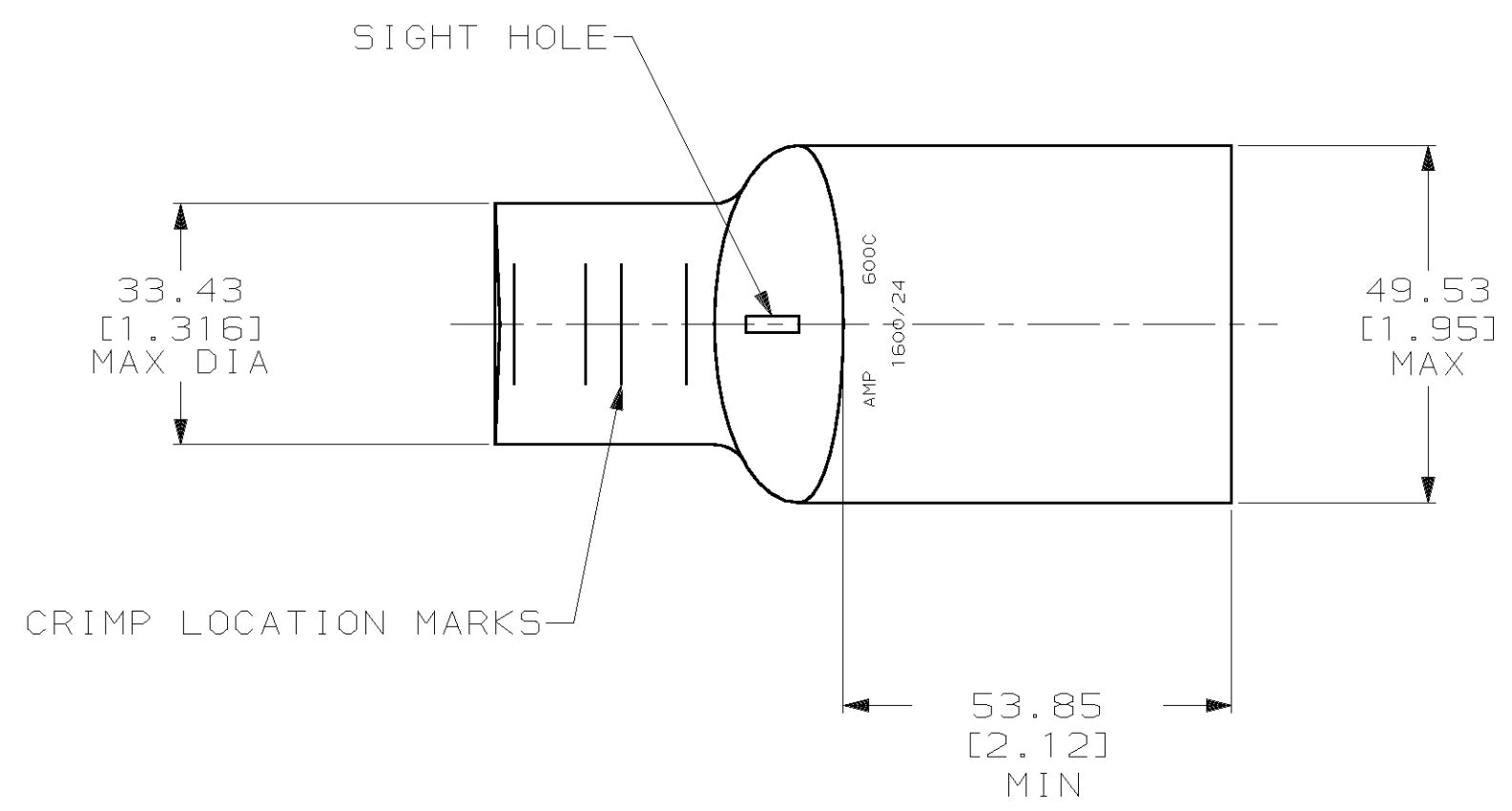
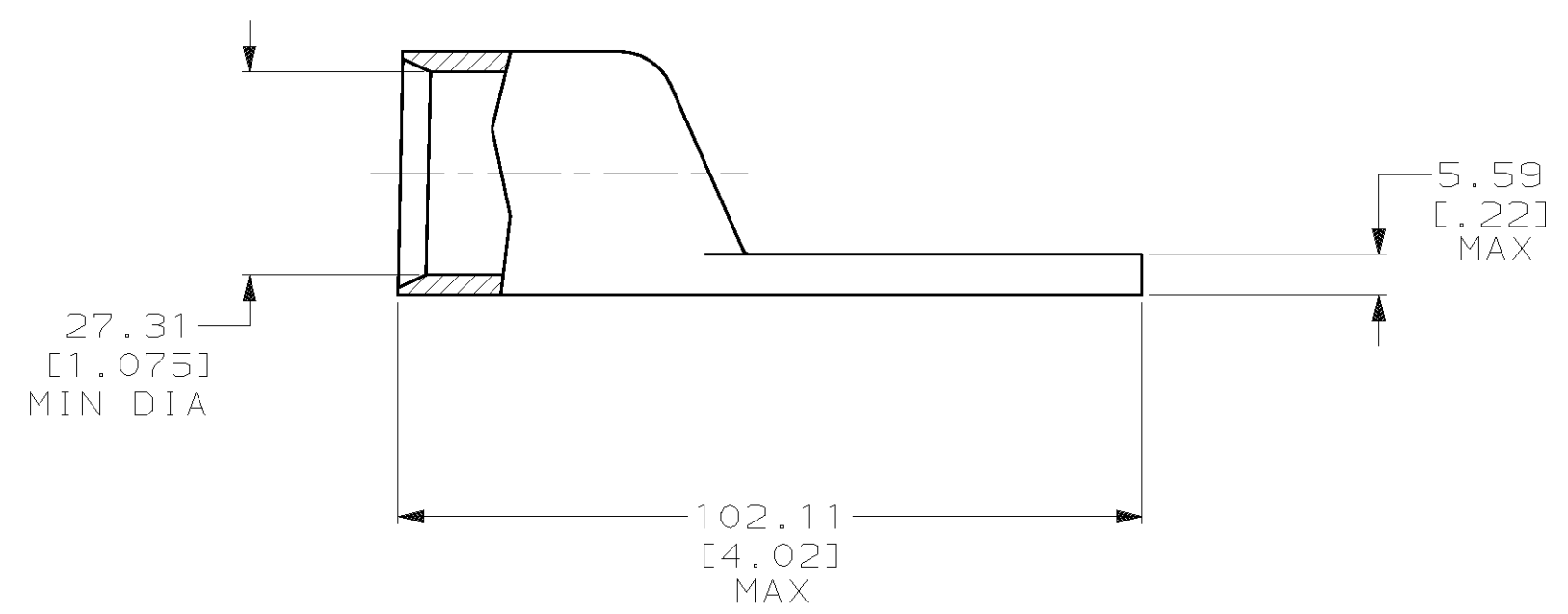


REVISIONS									
LOC	DIST	P	F	ZONE	LTR	DESCRIPTION	DATE	APPD	
G	86				J	REV PER 063A-0561-01	08OCT02	JR	MS



1 CIRCULAR MIL RANGE: 550-650 MCM



1-326211-1  
 PART NO

DO NOT SCALE PRINT. UNLESS SPECIFIED DIMENSIONS IN mm [INCHES] TOLERANCES ON : 2 PLC DEC ± 0.51 [.020] 3 PLC DEC ± - ANGLES ± -		DR 9/17/91 DK SCHRUM CHK 9/17/91 AJ KAUFMAN APPD 9/18/91 WJ VOCKROTH APPD 9/18/91 AJ ADELMANN		AMP INCORPORATED Harrisburg, Pa. 17105	
MATERIAL ANNEALED COPPER ASTM B-75		PRODUCT SPEC -		NAME TERMINAL, AMPPOWER™ WIRE SIZE: 304.0mm <sup>2</sup> [600]MCM	
FINISH CLEANED		APPLICATION SPEC -		SIZE <b>C</b>	CAGE CODE 00779
WEIGHT .498 LB		SCALE 1:1		DRAWING NO 326211	
				SHEET 1 OF 1	

**METRIC**